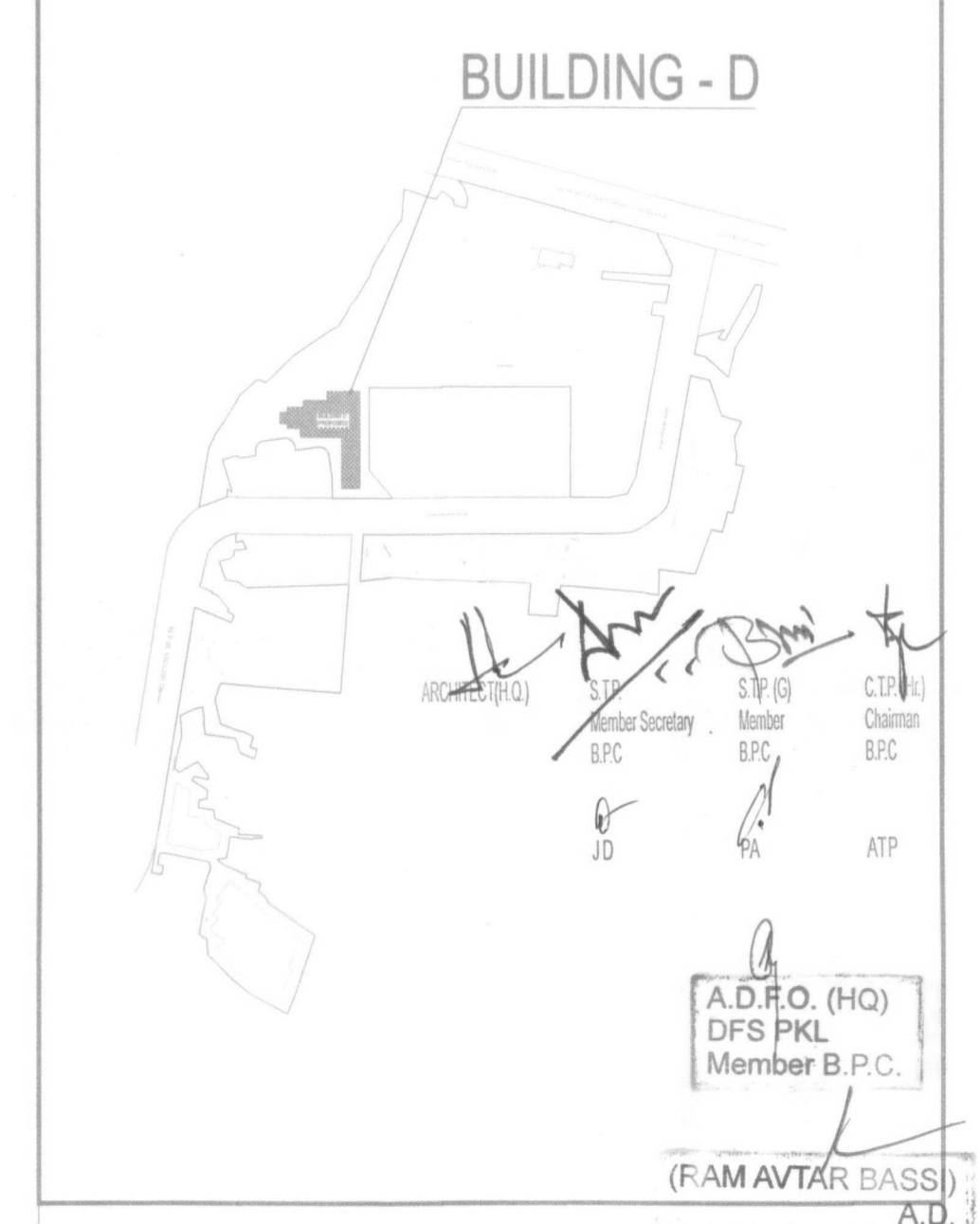
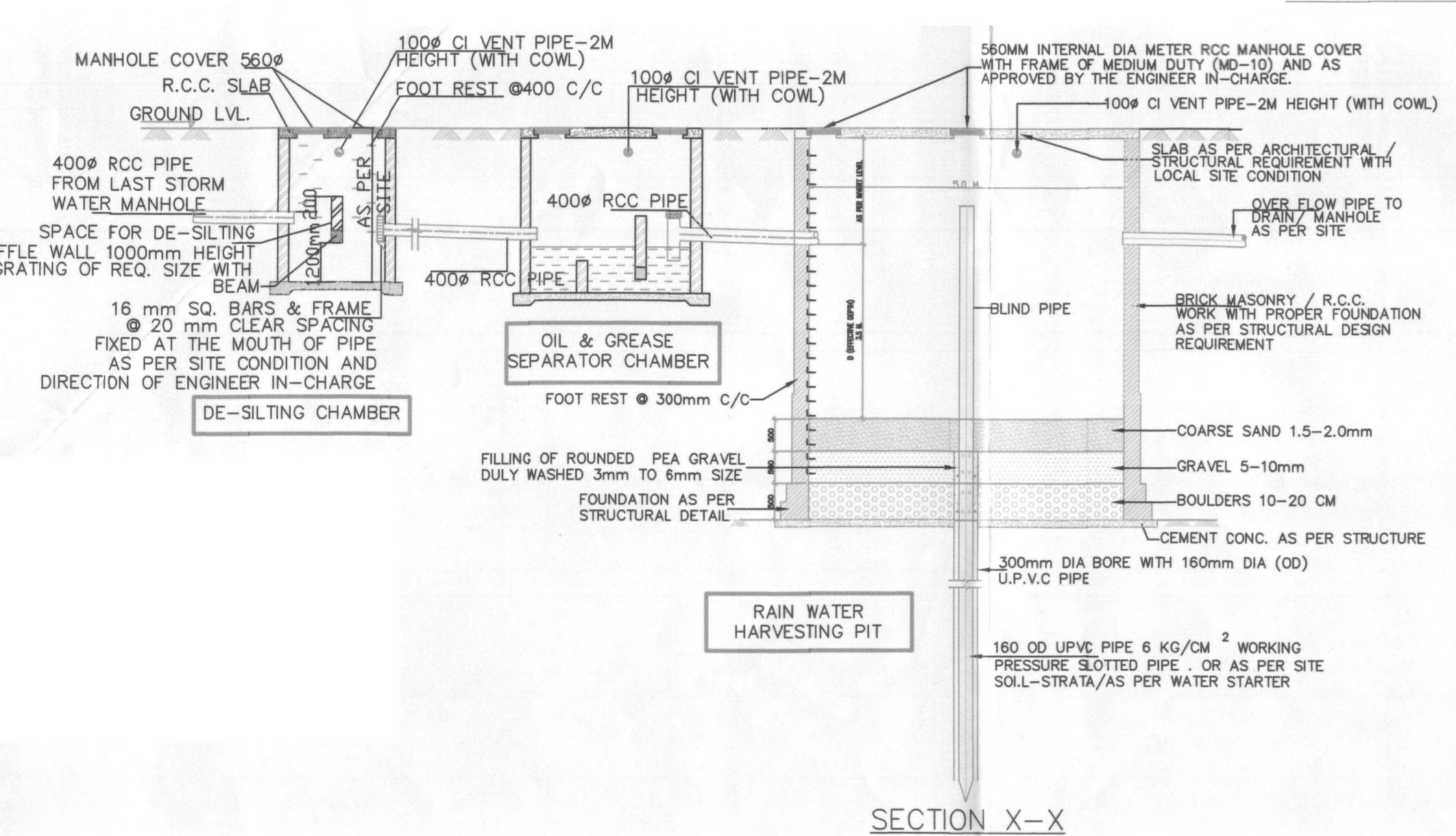
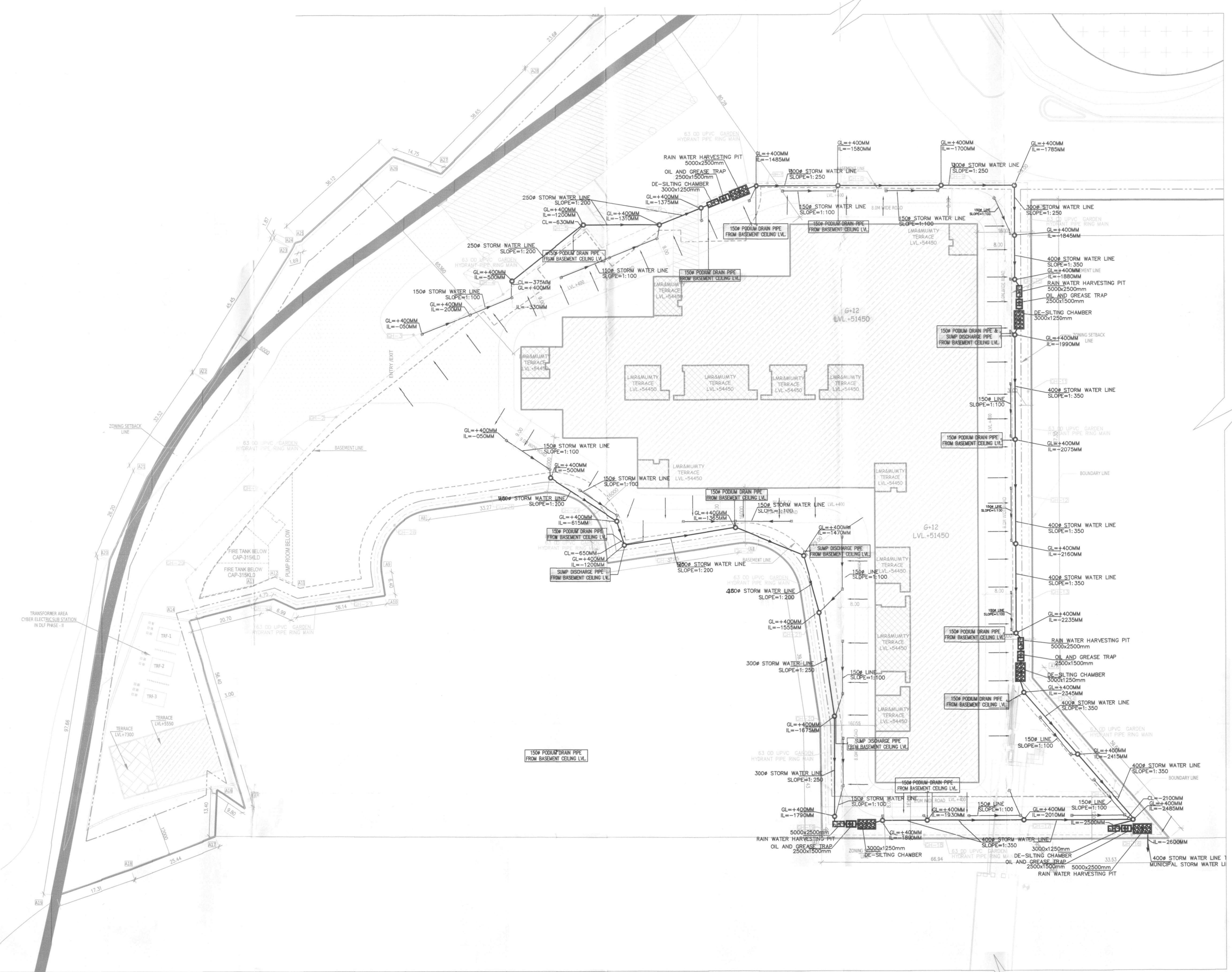
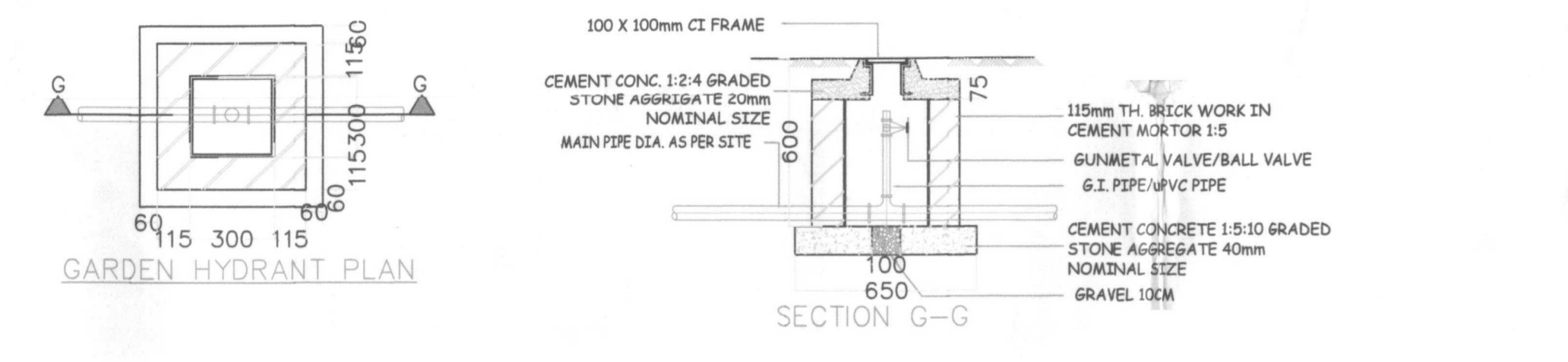
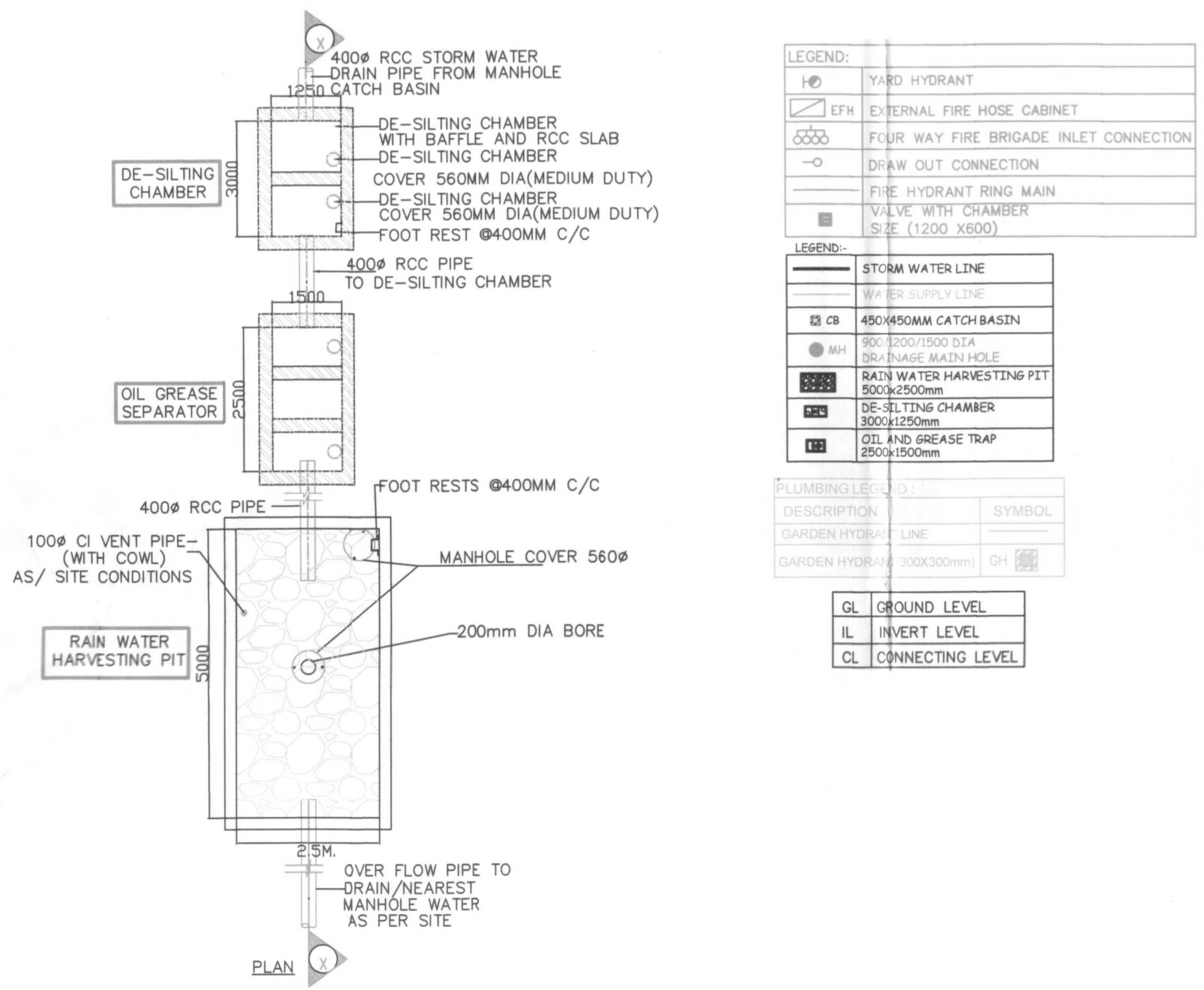


KEY PLAN



DLF45403



Architect Hafeez Contractor
29, Bank Street, Bombay 400 023, Tel: 2612920

RISMS ARCHITECTS

RSMS ARCHITECTS PVT. LTD.
69, Nora Niwas, Bhawani Kunj (Behind D2), Vasant Kunj, New Delhi-110070.
Tel: 011-26898616, 26898617
www.rsms-arch.com

Project: PROPOSED BUILDING PLAN OF BUILDING - C, BUILDING -D, BUILDING -E AND BUILDING -F IN 94.57485 ACRES DLF CYBER CITY, SECTOR 24, 25 & 25A, GURGAON, HARYANA.

OWNER: DLF Cyber City Developers Ltd. 10th Floor DLF Gateway Tower, DLF Cyber City, Gurugram, Haryana Pin: 122002

Checked and Approved for DRAWING TITLE: BUILDING-D SITE PLAN (IRRIGATION SCHEME & STORM SCHEME)

DATE: 16-05-2018

REVISION	JOB NO.:-	DRG. NO.	NORTH
	1-500	BDST-02	
	SCALE:-	DATE:-	
		16-05-2018	
FILE:-	DEALT BY:-	CHECKED BY:-	APPROVED BY:-
ARCHITECT'S SEAL & SIGNATURE	OWNER'S SEAL & SIGNATURE		