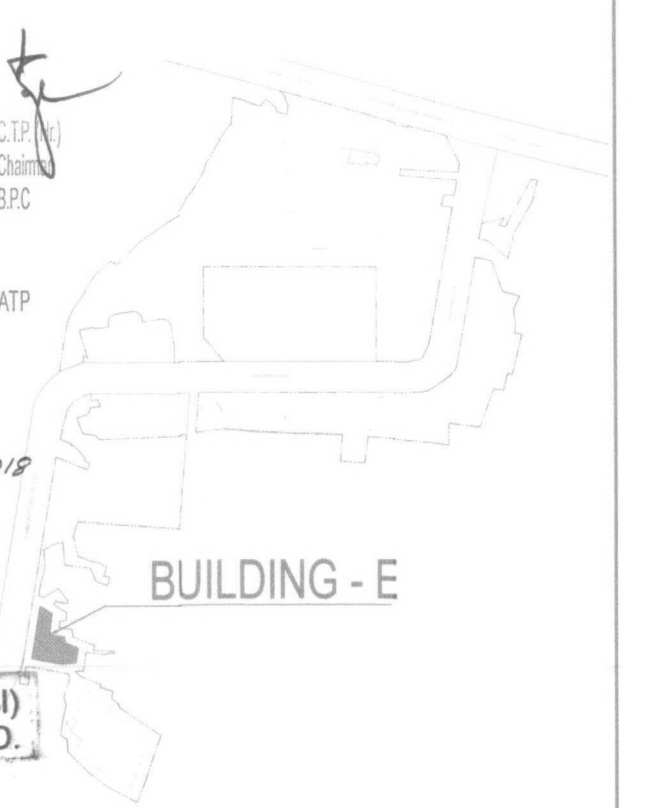
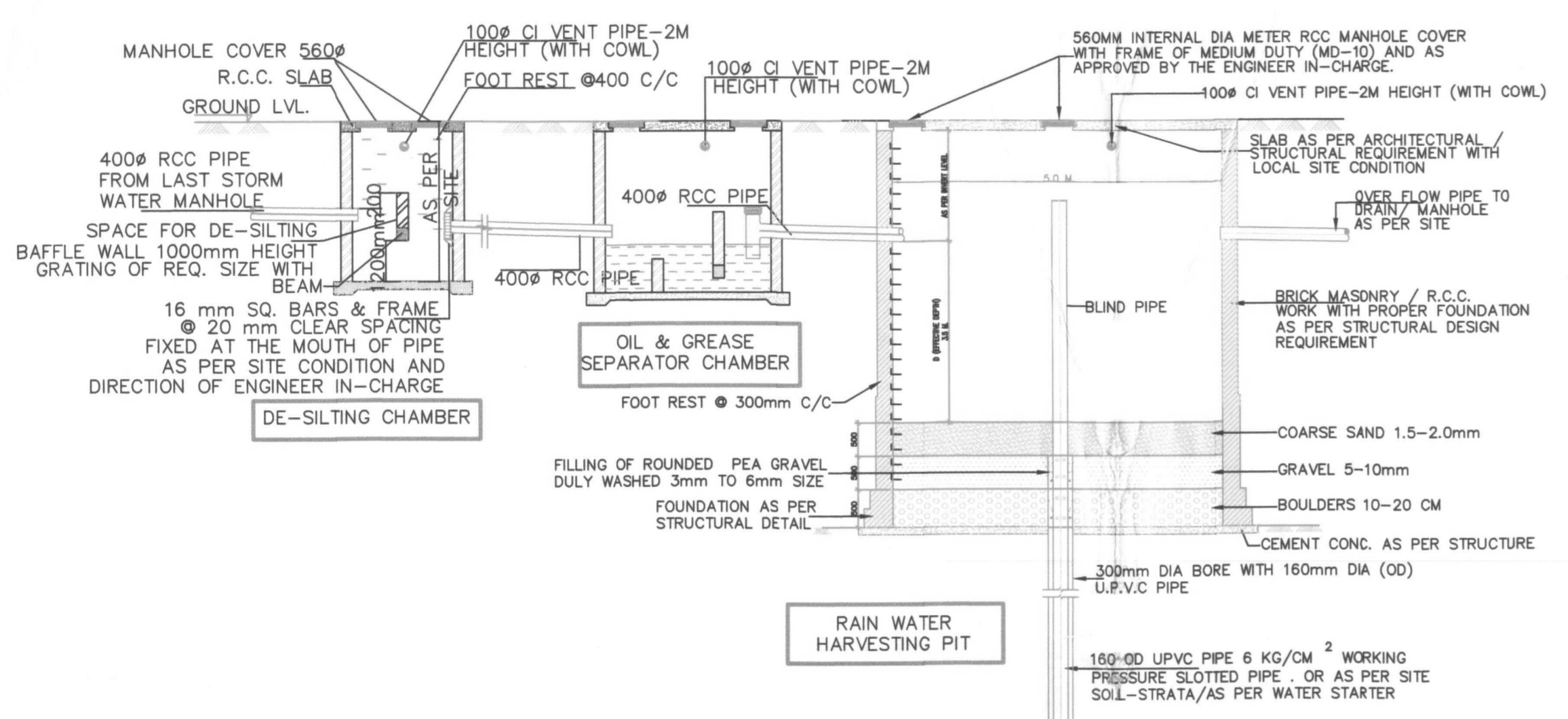


KEY PLAN



Checked and found ok for Public Health (Internal) Services only subject to comments in forwarding letter No. SE/HQ/16/18/16/18/18  
 Superintending Engineer (P) HVP, Panchajanya  
 16/17/18  
 (RAM AVTAR BASSI) A.D.



SECTION X-X

LEGEND:

	YARD HYDRANT
	EXTERNAL FIRE HOSE CABINET
	FOUR WAY FIRE BRIGADE INLET CONNECTION
	DRAW OUT CONNECTION
	FIRE HYDRANT RING MAIN
	VALVE WITH CHAMBER (SIZE: 1200 X 600)

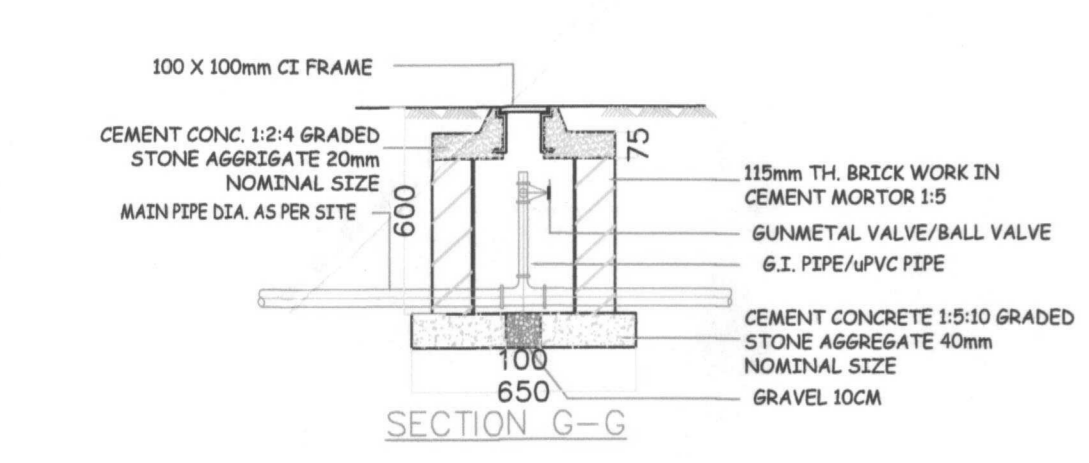
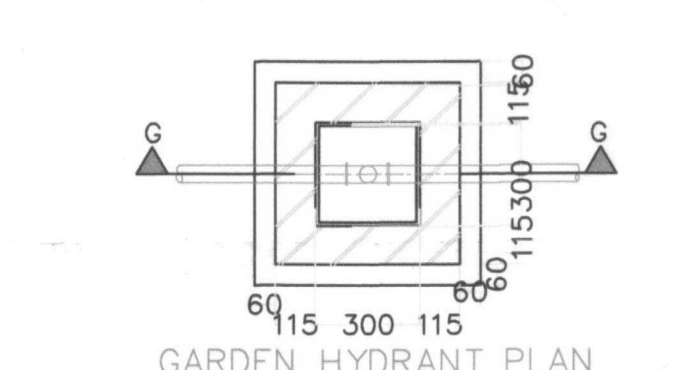
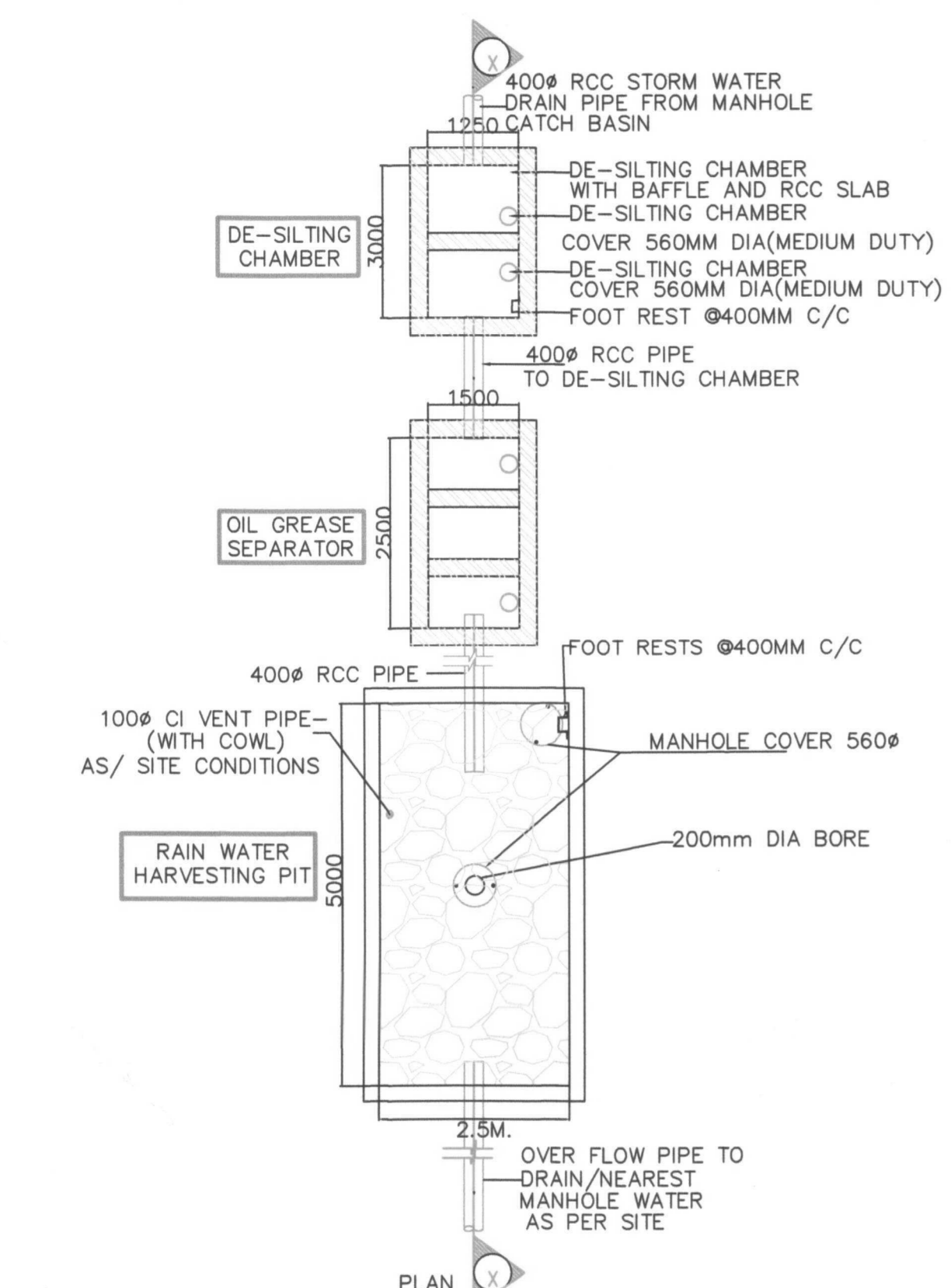
LEGEND:

	STORM WATER LINE
	WATER SUPPLY LINE
	450X450MM CATCH BASIN
	900/1200/1500 DIA DRAINAGE MAIN HOLE
	RAIN WATER HARVESTING PIT 5000x2500mm
	DE-SILTING CHAMBER 3000x1250mm
	OIL AND GREASE TRAP 2500x1500mm

PLUMBING LEGEND:

DESCRIPTION	SYMBOL
GARDEN HYDRANT LINE	
GARDEN HYDRANT (300x300mm)	

GL GROUND LEVEL  
 IL INVERT LEVEL  
 CL CONNECTING LEVEL



DLF45427

Architect  
 Hafeez  
 Contractor  
 29 Bank Street, Bombay 400 023. Tel: 2661920

RIMS  
 ARCHITECTS

RSMS ARCHITECTS PVT. LTD.  
 69, Nara Niwas Bhawani Kunj  
 (Behind D2), Vasant Kunj,  
 New Delhi-110070.  
 Tel.: 011-26898616, 26898617  
 www.rsms-arch.com

Project:  
 PROPOSED BUILDING PLAN OF BUILDING - C, BUILDING - D, BUILDING - E AND BUILDING - F IN 94.57485 ACRES DLF CYBER CITY, SECTOR 24, 25 & 25A, GURGAON, HARYANA.

OWNER:  
 DLF Cyber City Developers Ltd.  
 10th Floor DLF Gateway Tower,  
 DLF Cyber City, Gurugram,  
 Haryana Pin: 122002

DRAWING TITLE: -  
 BUILDING-E  
 SITE PLAN  
 (IRRIGATION SCHEME & STORM WATER SCHEME)

REVISION	JOB NO. -	DRG NO. -	NORTH
		BEST-02	
	SCALE: -	DATE: -	
	1:500	16-05-2018	
FILE: -	DEALT BY: -	CHECKED BY: -	APPROVED BY: -
ARCHITECT'S SEAL & SIGNATURE		OWNER'S SEAL & SIGNATURE	

A.D.F.O. (HQ)  
 DFS PKL  
 Member B.P.C.

